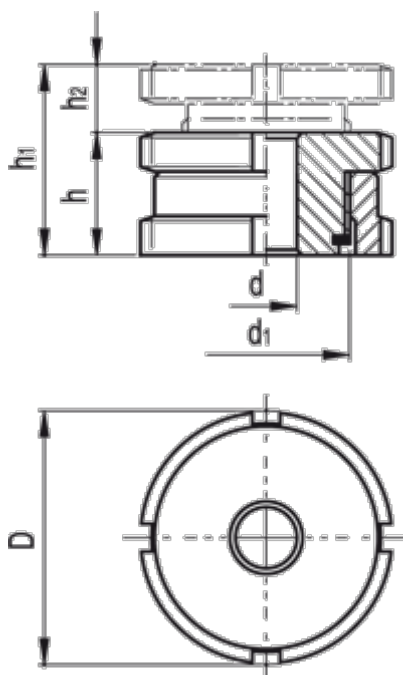


Article number: 20665174

Description: E+G Levelling set
GN 350.1-32-9-NI

Measures



C-spanner DIN 1810 = A30-32

d = 9.0

D = 32

d_1 = M20x1

For screw = M8

h = 18

h_1 = 23

h_2 = 5

Max static load (N) = 43.4

Static preload (N) = 30.9

Weight (g) = 87